

For Product Step File or 3D Model Send a Request Mail To info@nrack.com

Key Locks



Photo View



Panel Locks

Plane Locks

3Point Locks (Round & Flat)

Handle & Knobs

3D Rendered View



Hinges

Airvents

Gasketing

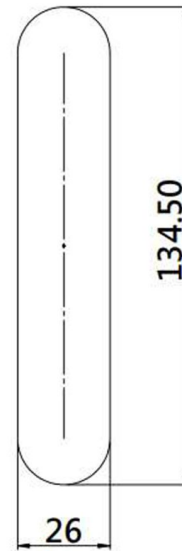
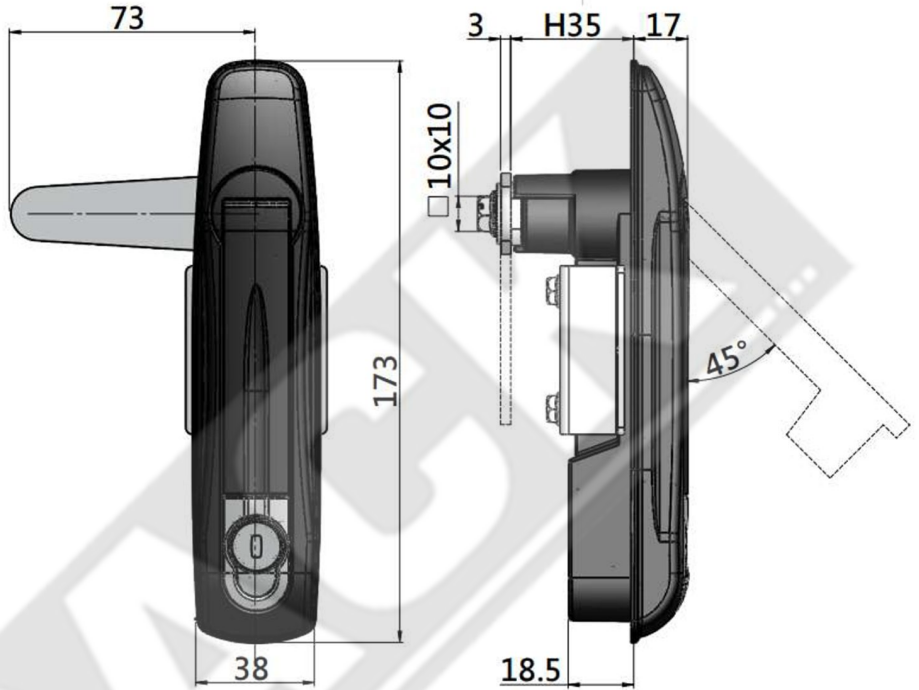
Canopy Locks

Other Accessories

MS 4090

Stainless Steel

- Material: Die Casting, Steel-Cam, Bracket
- Finish: Black Powder Coated



CUT OUT